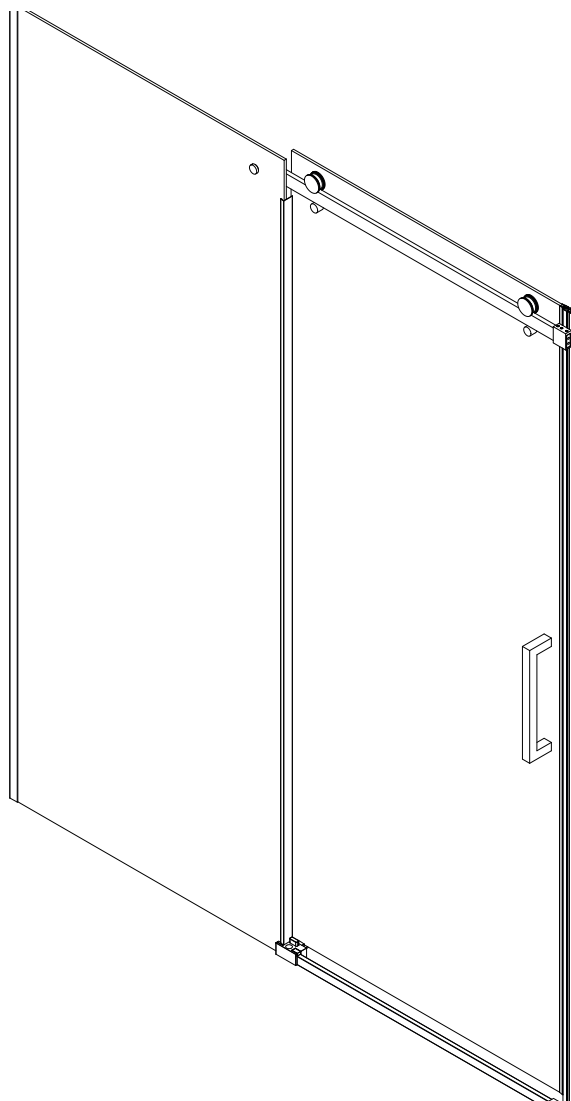


NHIA&Co

HOME | DECOR

INSTALLATION GUIDE

REVERSIBLE AND ADJUSTABLE SLIDING DOOR



PRODUCT CODES: ASD-4872 • ASD-6070 • ASD-6075 • ASD-6078 • ASD-6058

WATCH OUR INSTALLATION VIDEO AT NHIACO.COM

PRIOR TO INSTALLING

Please inspect the product immediately upon receipt for transit damage, missing packs/parts or manufacturing fault. Damage reported after installation cannot be accepted. Please handle the product with care avoiding knocks and shock loading to all sides and edges of the glass.

⚠ IMPORTANT

Safety glass can not be re-worked.





Please read these instructions carefully before start of installation. Special care should be taken when drilling walls to avoid hidden pipes or electrical cables.

Note: This product is heavy and may require two people to install.

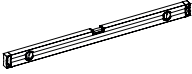
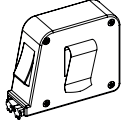
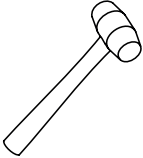

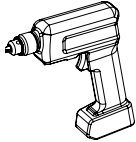

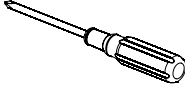
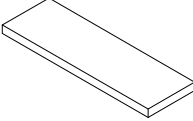


AFTERCARE INSTRUCTIONS

- After use, your shower should be cleaned with soap and water. This is especially important in areas with hard water, as insoluble minerals can deposit and accumulate.
- Cleaners of a gritty or abrasive nature should not be used. Care should be taken to avoid contact with strong chemicals such as organic solvents and strippers.
- Glass cleaners can be used but with caution, if in doubt contact the manufacturer of the cleaner in question.
- Please keep these instructions for aftercare and customer service details.

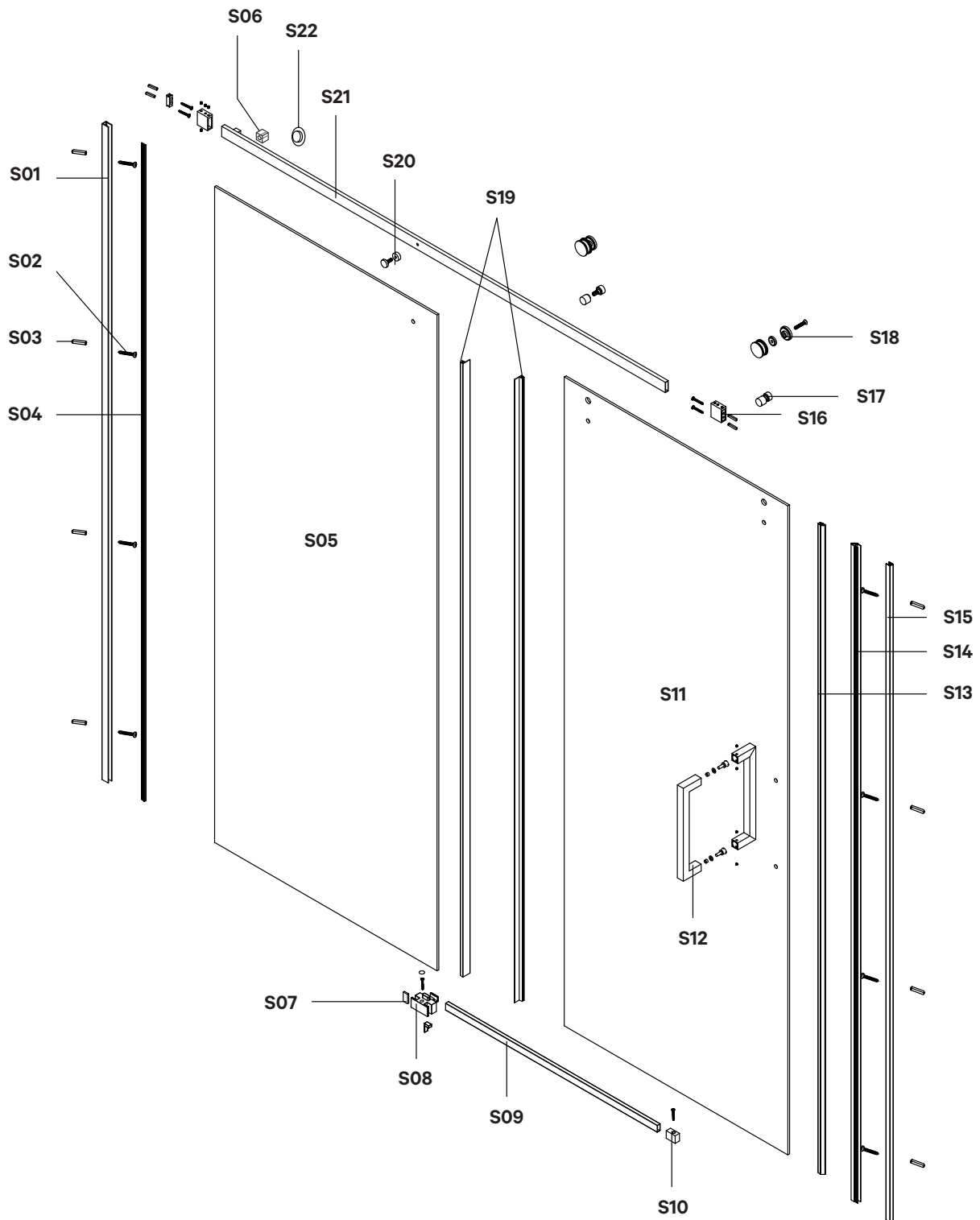
FOR YOUR SAFETY

			
This product is heavy and may require two people for its installation.	Protective gloves	Safety glasses	Closed shoes








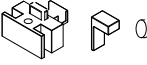

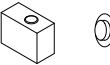
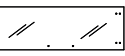
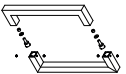

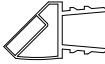
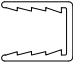
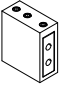
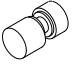

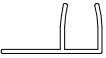
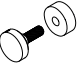
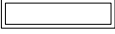
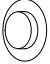
TOOLS AND MATERIALS

				
Level	Measuring tape	Rubber mallet	Pencil	Electric drill
				
Inner hexagon spanner	Cross-headed screwdriver	20 mm thick board	Silicone sealant	Drill bits 6 mm ¼ in. 3.2 mm ⅛ in.

PARTS

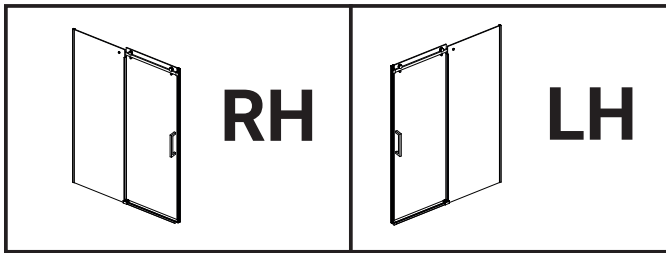


PARTS

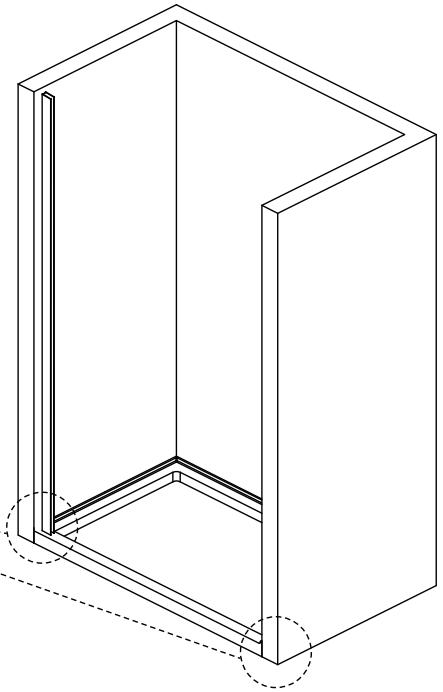
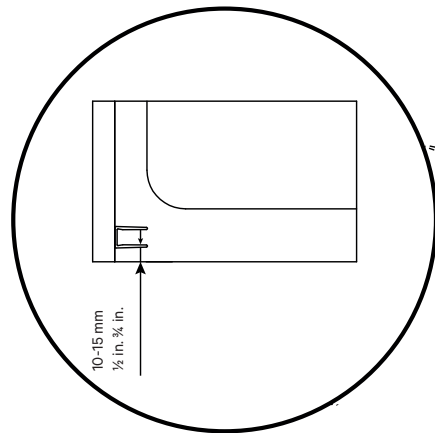
 <p>Aluminum profile (fixed panel)</p> <p>S01 x1</p>	 <p>Metric screw (3.9 mm x 35 mm)</p> <p>S02 x14</p>	 <p>Wall anchors</p> <p>S03 x14</p>	 <p>Strip</p> <p>S04 x1</p>	 <p>Fixed glass panel</p> <p>S05 x1</p>	 <p>Door bumper (factory installed)</p> <p>S05 x1</p>
 <p>Gasket</p> <p>S07 x1</p>	 <p>Door guider</p> <p>S08 x1</p>	 <p>Water retaining profile</p> <p>S09 x1</p>	 <p>Water block (for water retaining profile)</p> <p>S10 x1</p>	 <p>Glass door panel</p> <p>S11 x1</p>	 <p>Handle</p> <p>S12 x1</p>
 <p>Magnetic seal strip (goes onto door panel)</p> <p>S13 x1</p>	 <p>Magnetic seal strip (goes on aluminum profile S15)</p> <p>S14 x1</p>	 <p>Aluminum profile (sliding door side)</p> <p>S15 x1</p>	 <p>2 pieces wall brackets</p> <p>S16 x2</p>	 <p>Anti-jump fastener for fixed panel</p> <p>S17 x2</p>	 <p>Rollers</p> <p>S18 x2</p>
 <p>PVC seal strip</p> <p>S19 x2</p>	 <p>Fixed panel fastener assembly</p> <p>S20 x1</p>	 <p>Aluminium top rail</p> <p>S21 x1</p>	 <p>Caps (factory installed)</p> <p>S22 x1</p>		

STEP 1

RIGHT-HAND (RH) INSTALLATION SHOWN

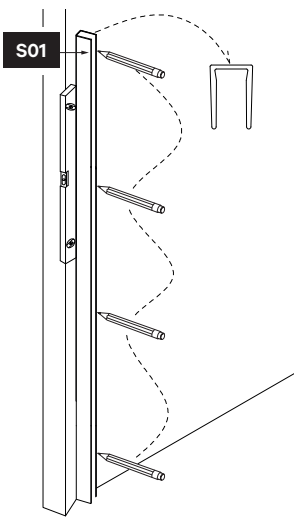


REVERSE IF INSTALLING LEFT-HAND (LH)



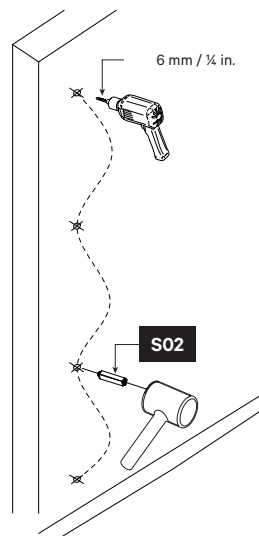
1.1

Position and level the wall jamb (S01) on the fixed panel side at $\frac{3}{4}$ in. from the exterior edge of the threshold and mark the fastening holes.



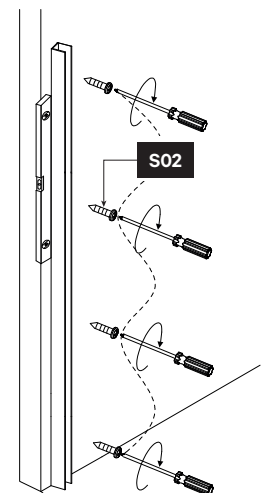
1.2

Using a drilling bit $\frac{1}{4}$ in, pre-drill the wall.



1.3

Fasten the wall jamb with the provided screws (S02).



⚠ IMPORTANT

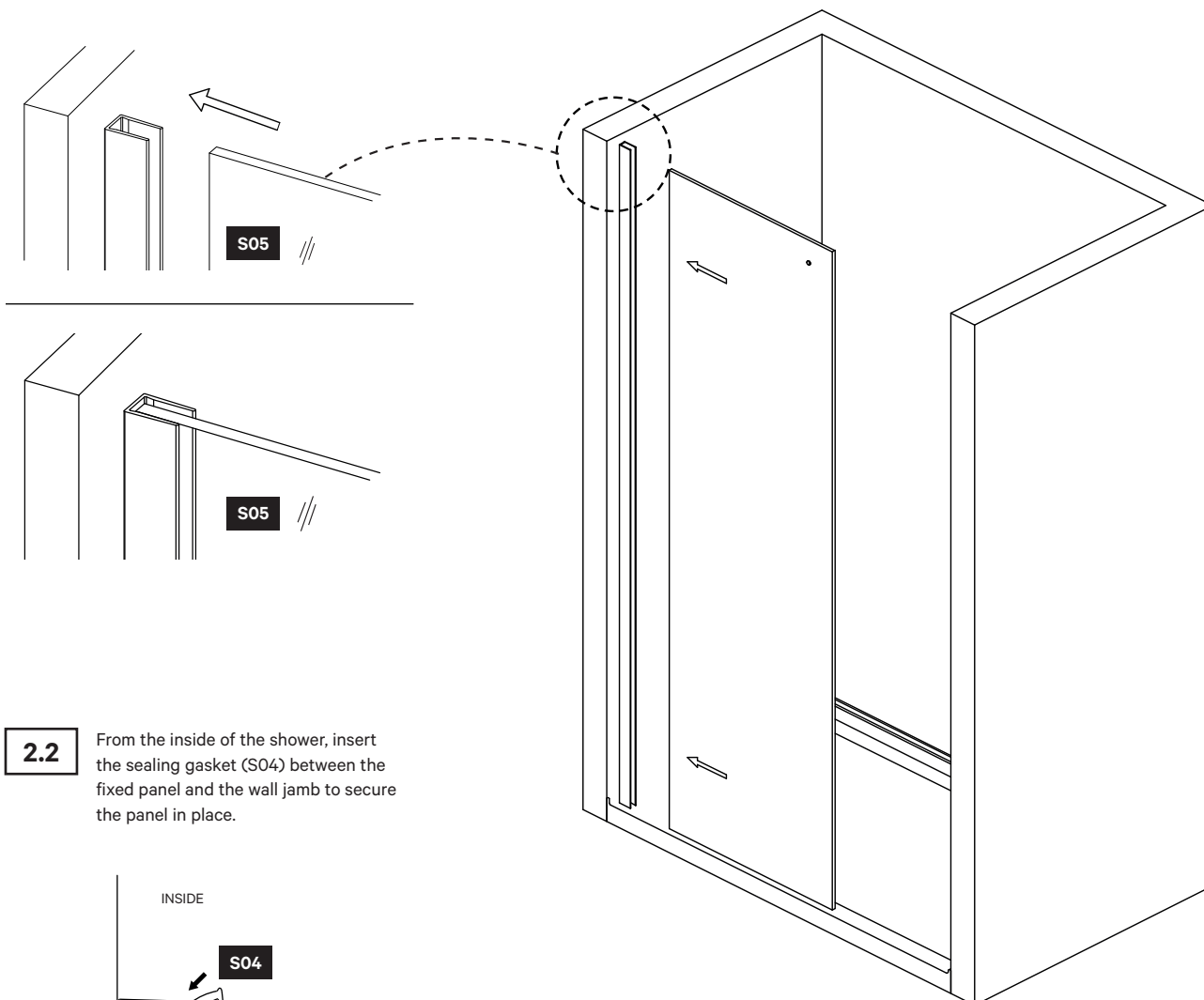
Add silicone around each hole.

Screws need to be installed in a wood structure, otherwise, the use of wall anchors is required.

STEP 2

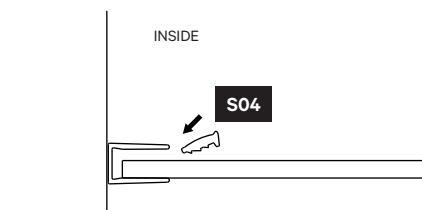
2.1

Insert the fixed panel (S05) into the wall jamb (S01)



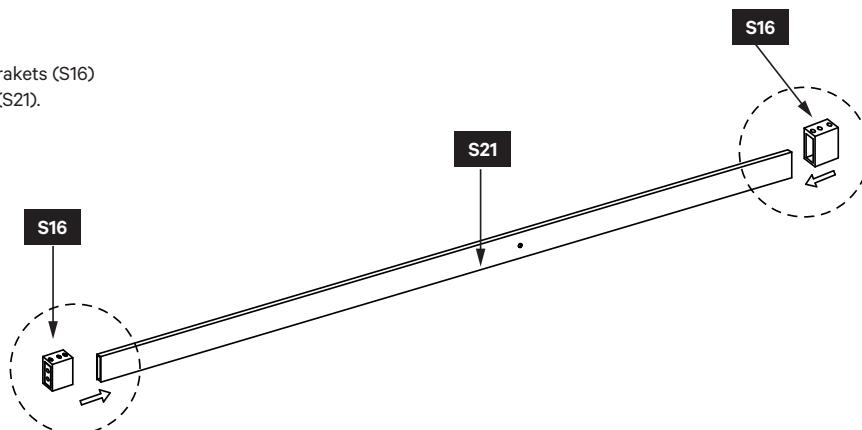
2.2

From the inside of the shower, insert the sealing gasket (S04) between the fixed panel and the wall jamb to secure the panel in place.



2.3

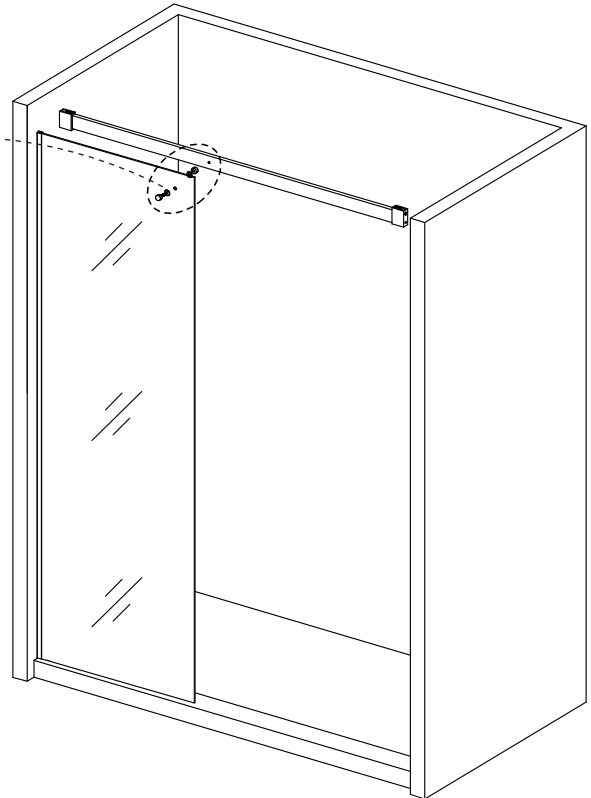
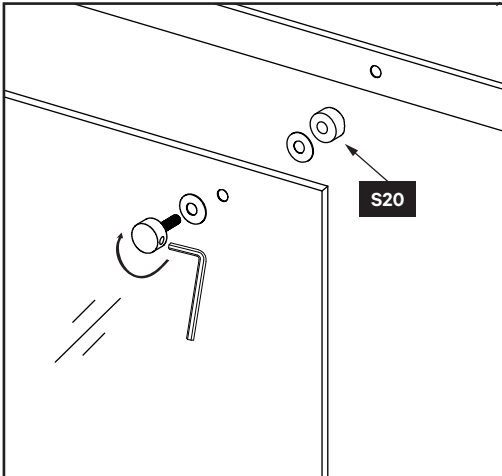
Insert the wall brackets (S16) into the top rail (S21).



STEP 3

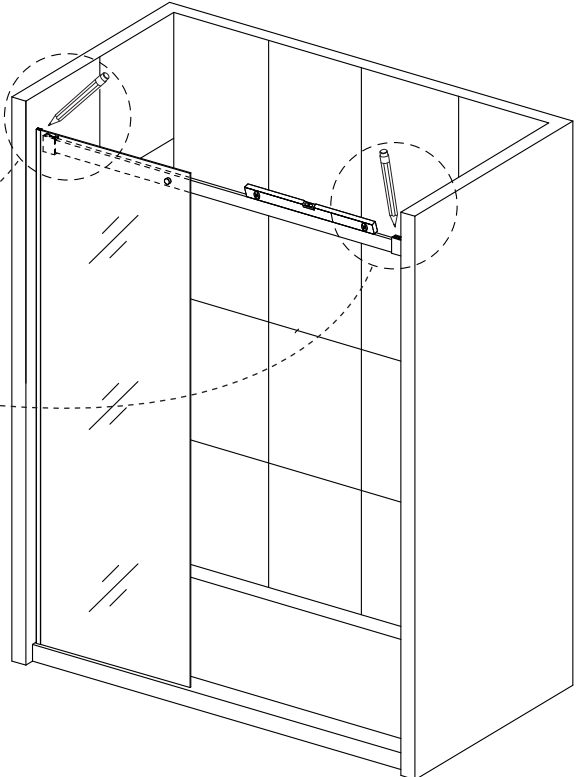
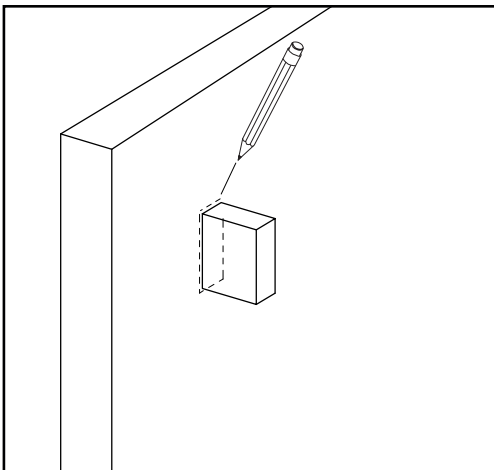
3.1

Align the holes on the top rail (S21) with those on the fixed panel (S05), then secure them using the fixed glass panel fastener assembly (S20).



3.2

Level and position the top rail, then mark the brackets position on the wall.



⚠ IMPORTANT

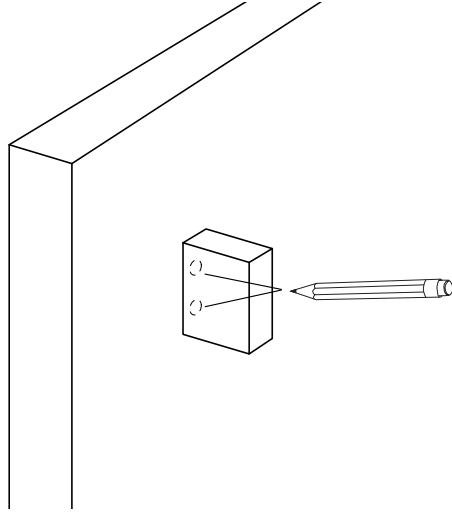
The top rail might need to be cut depending on your alcove size. Take measurement carefully and cut each side using the metal saw.

⚠ IMPORTANT

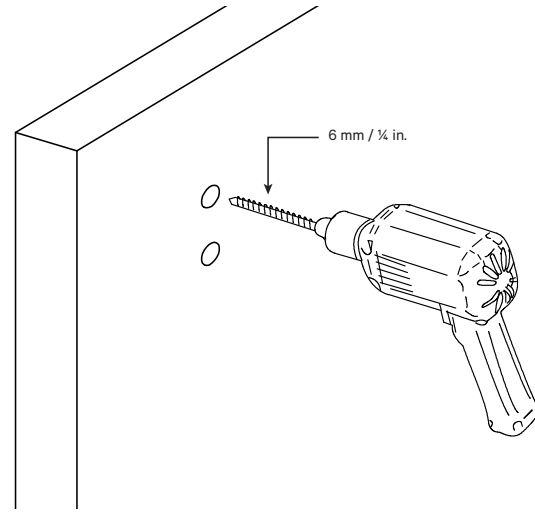
Before proceeding to the next steps, remove completely the top rail from the fixed panel and remove the brackets S16 from the header S21.

STEP 4

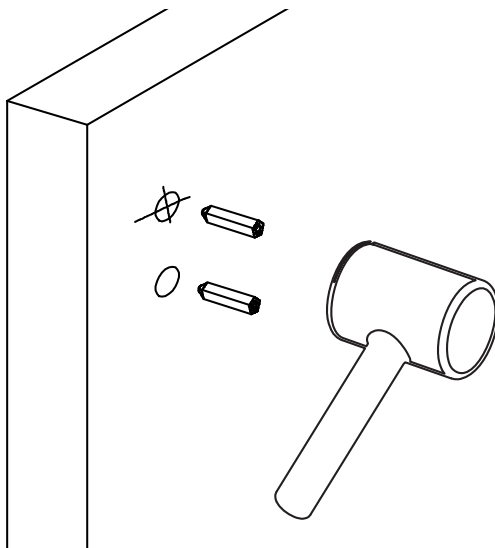
- 4.1** Align the wall bracket with the marked position identified at step 3.2 and mark the position of the holes.



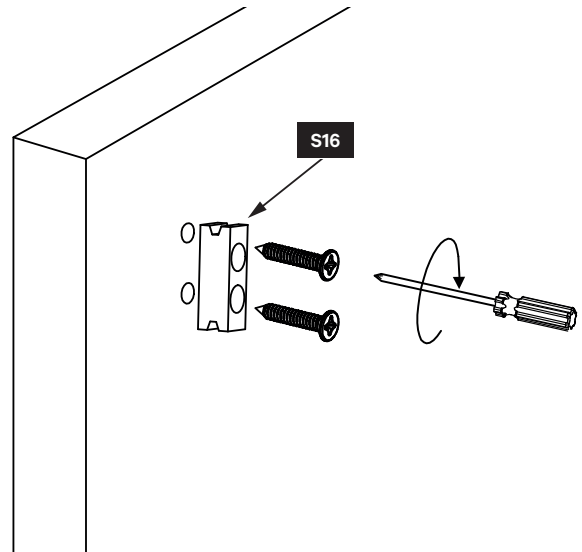
- 4.2** Using the $\frac{1}{4}$ in bit, drill the marked wall bracket holes.



- 4.3** Use the rubber mallet to insert the wall anchors into place.



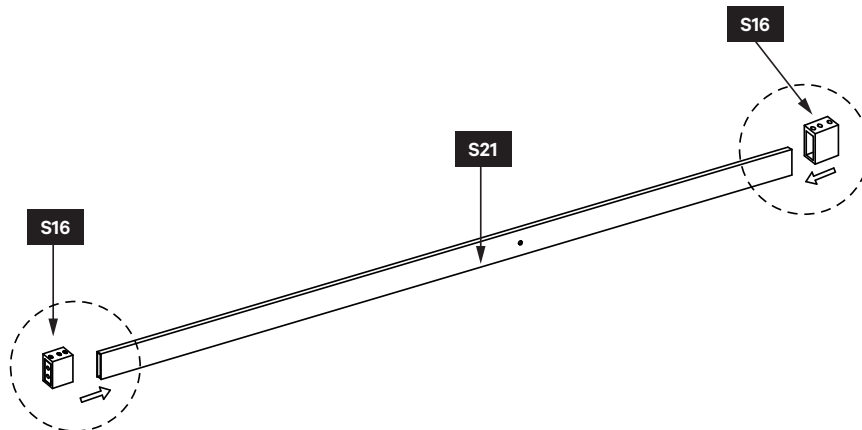
- 4.4** Remove the inner portion of the wall bracket from the outside and secure into place.



STEP 4

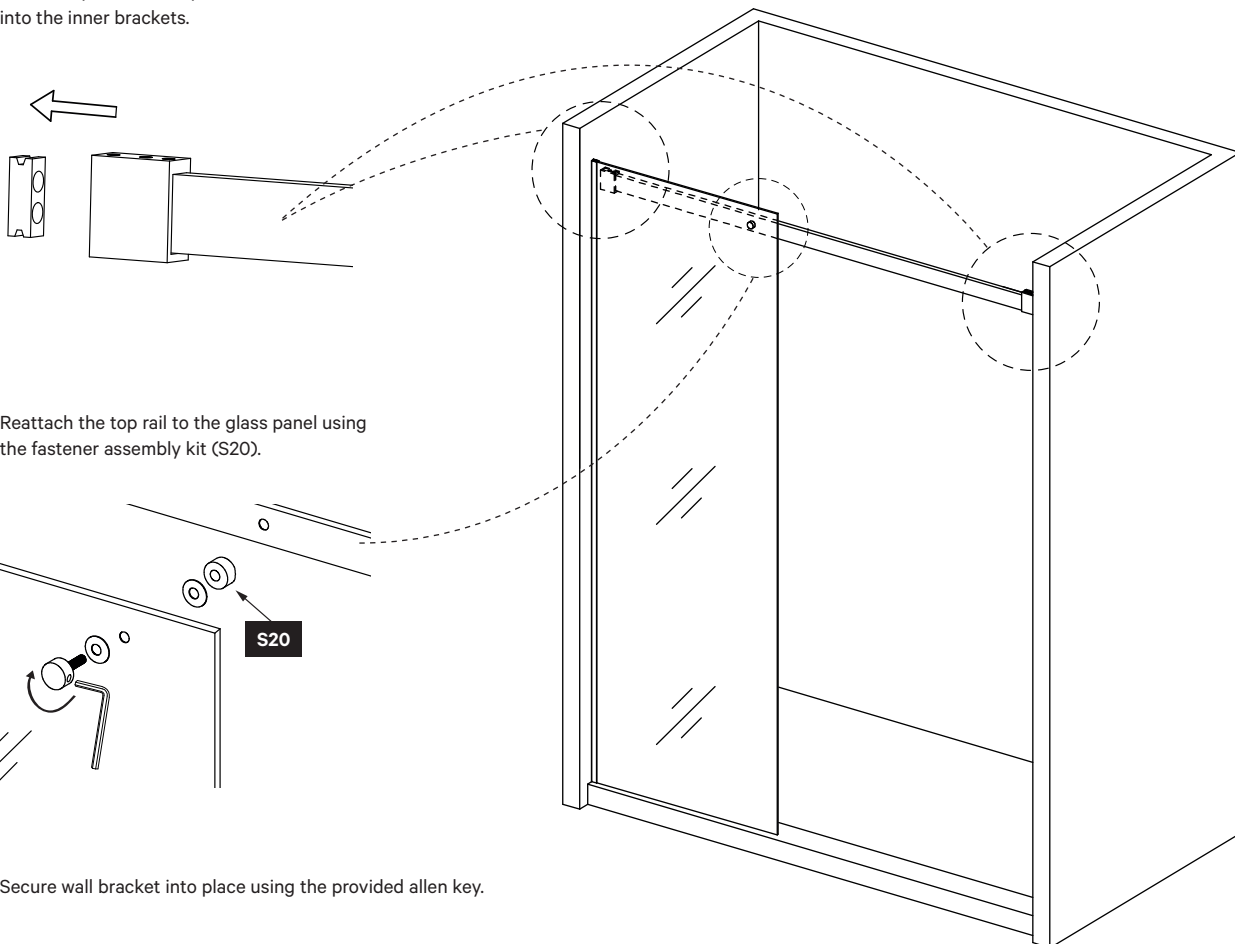
4.5

Insert the outside portion of the wall bracket into the top rail making sure it is on the right side.



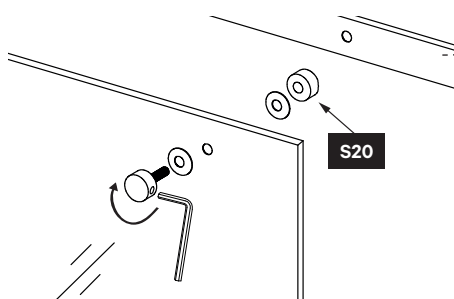
4.4

Put the top rail back in place and slide the outer wall brackets into the inner brackets.



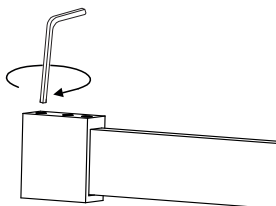
4.5

Reattach the top rail to the glass panel using the fastener assembly kit (S20).



4.6

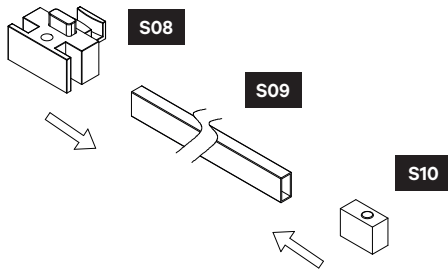
Secure wall bracket into place using the provided allen key.



STEP 5

5.1

Assemble the central guider (S08), water retaining profile (S09), and water block (S10), then insert the assembly between the glass panel and the wall as shown below.

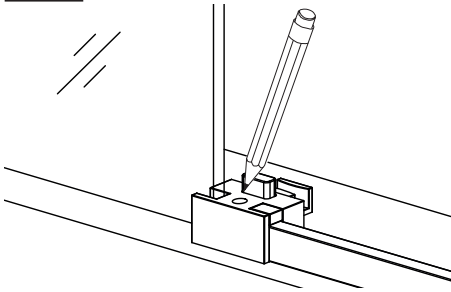


⚠ IMPORTANT

The water retaining profile might need to be cut. Please take measurement carefully and cut using metal saw.

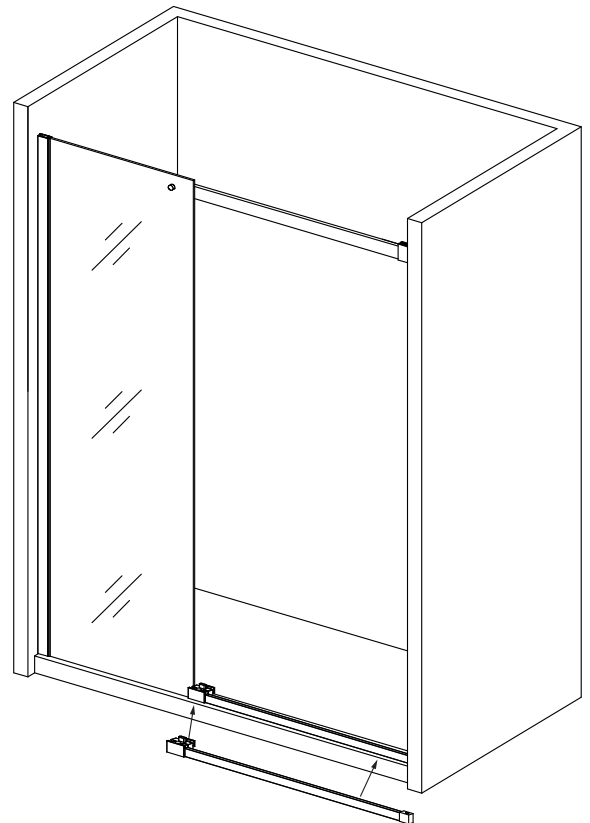
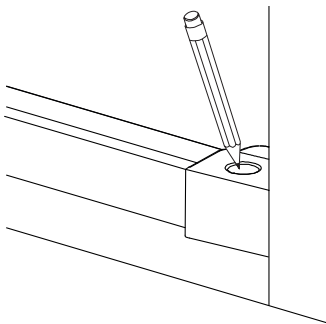
5.2

Mark the position of the hole of the guider (S08).



5.3

Mark the position of the hole of the water block (S10).

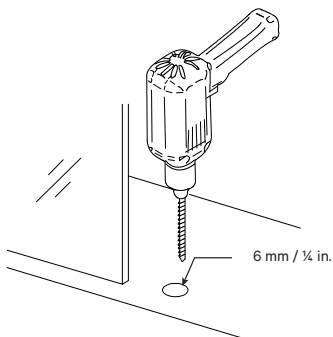


⚠ IMPORTANT

Temporarily remove the assembly S08, S09 and S10 from the shower door.

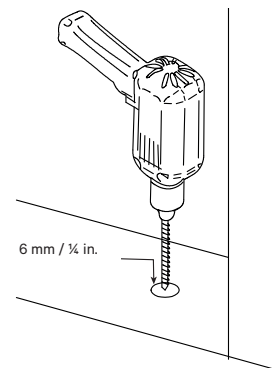
5.4

Using a $\frac{1}{4}$ in bit, drill the guider hole.



5.5

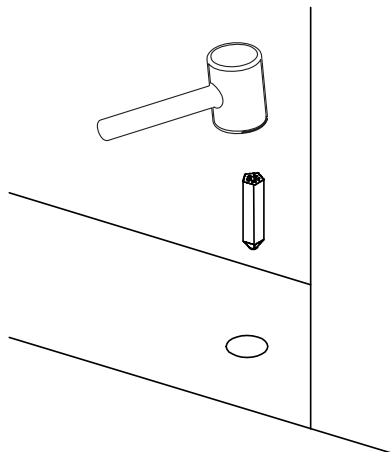
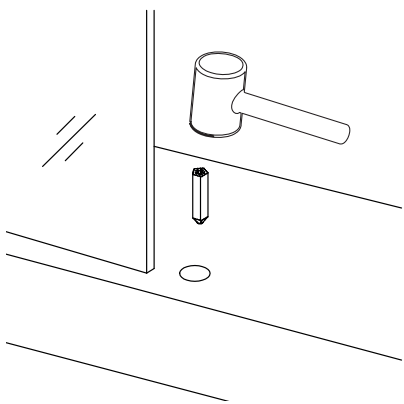
Using the $\frac{1}{4}$ in bit, drill the waterblock hole.



STEP 6

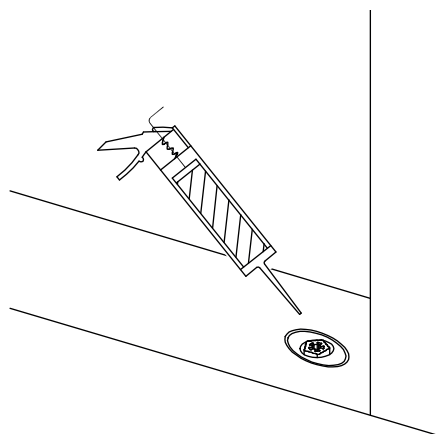
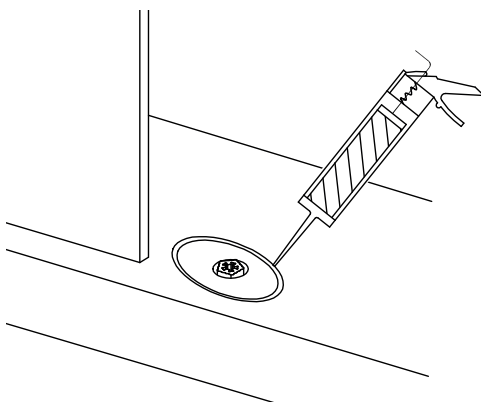
6.1

Using the rubber mallet, insert the wall anchors into the shower base.



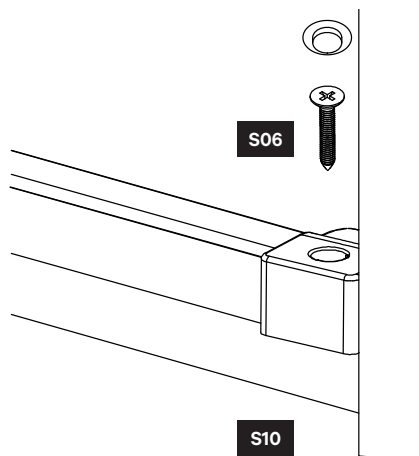
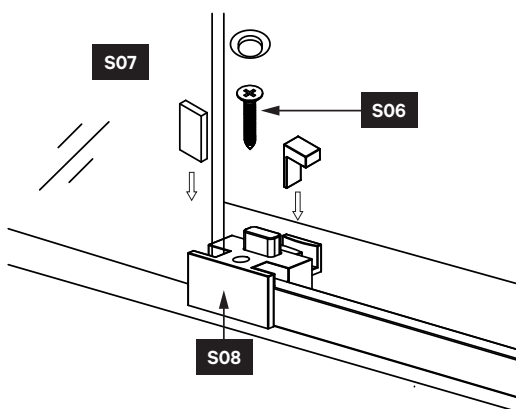
6.2

Apply a bead of silicone around the holes.



6.3

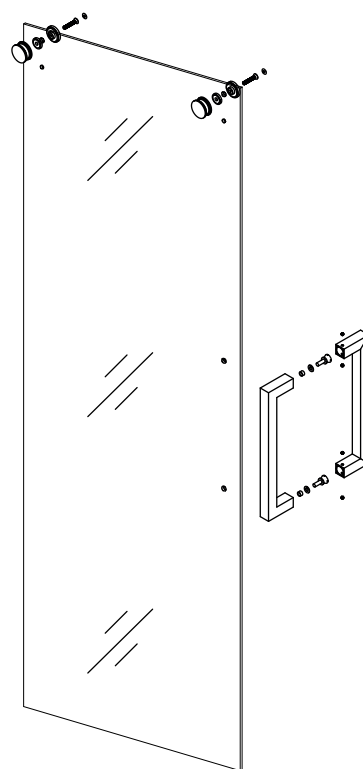
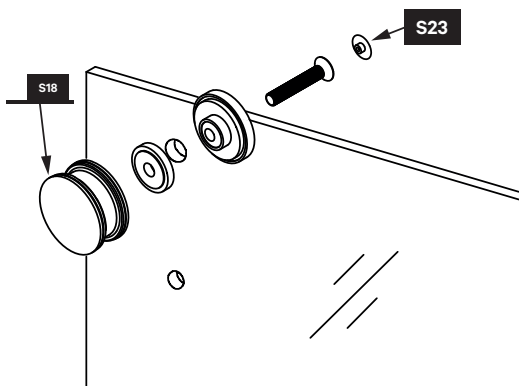
Reinstall the central guider (S08), water profile (S09), and water block (S10) assembly, then secure them to the shower base using screw (S02).



STEP 7

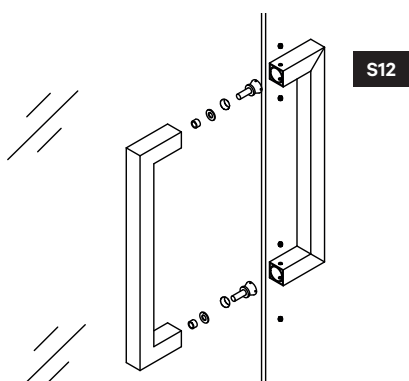
7.1

Attach the rollers (S18) to the sliding door panel (S11), ensuring they are firmly secured.



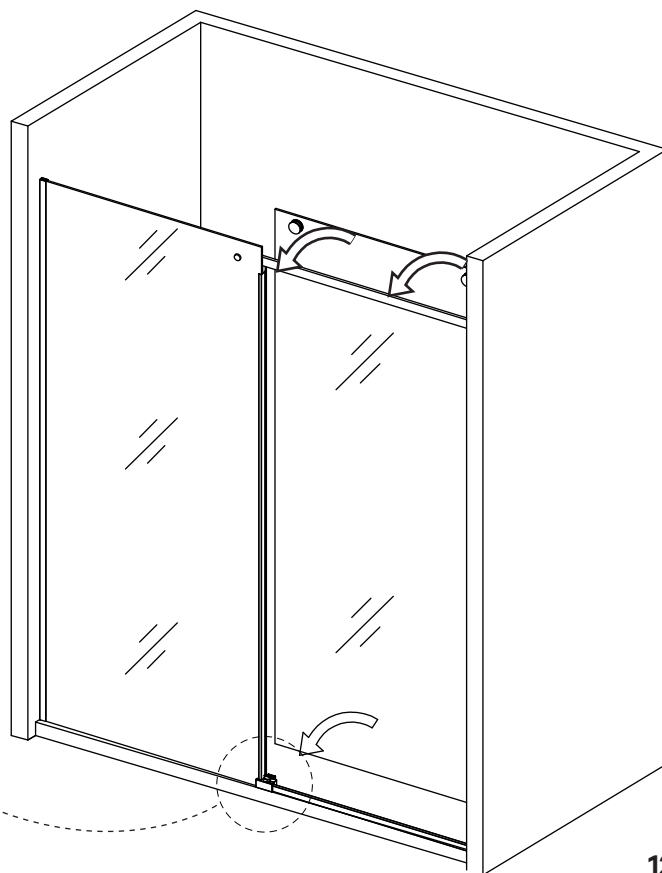
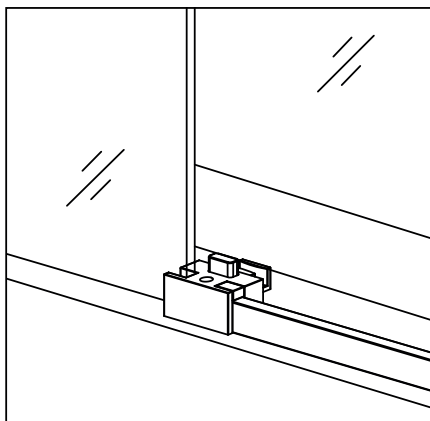
7.2

Attach the handle (S12) to the door panel (S11) and secure it in place.

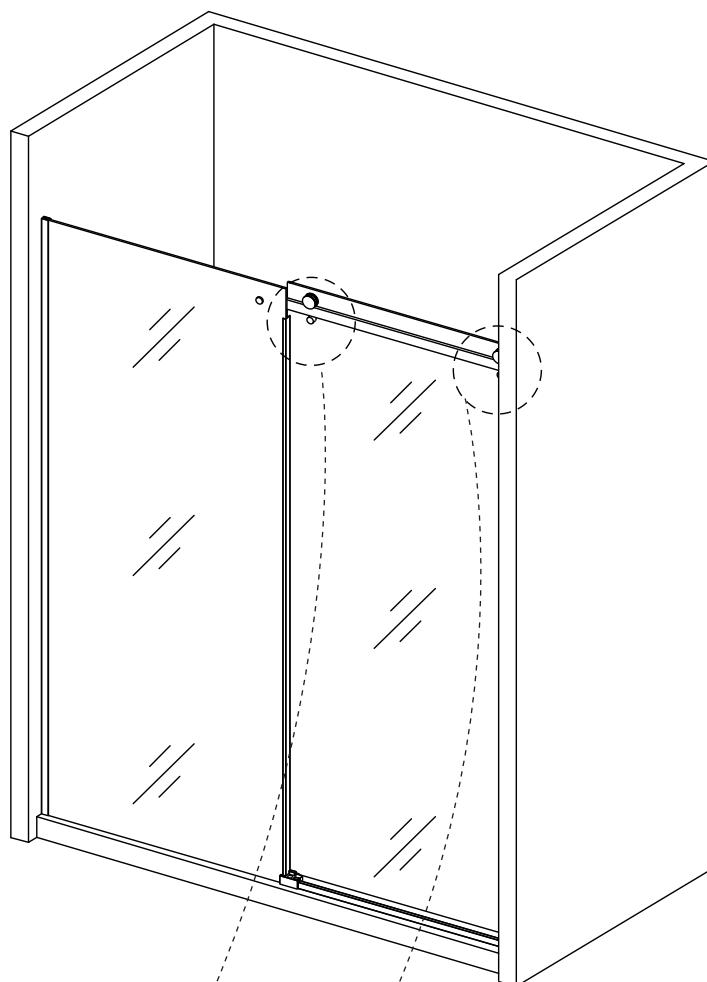


7.3

Hang the door on the top rail, then insert the bottom of the door into the door guider using the opening button.

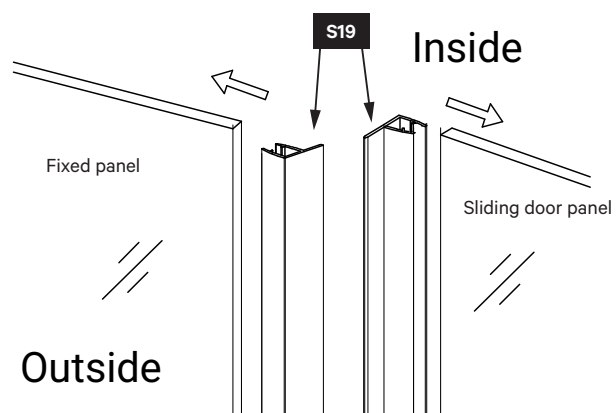
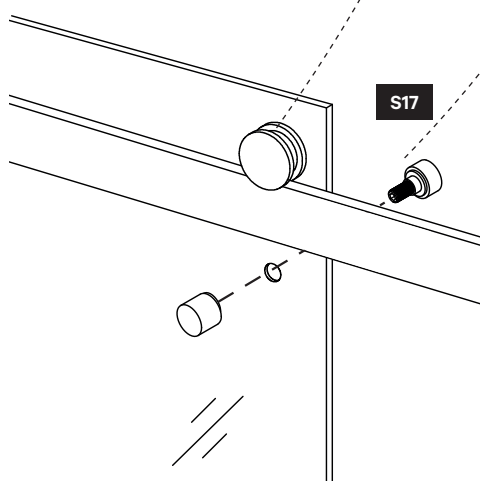


STEP 8



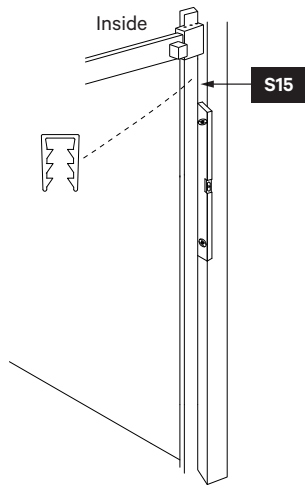
8.1 Fasten the anti-jump components (S17) to the door panel.

8.2 Insert the PVC seal strips (S19) onto the glass panels as shown below.

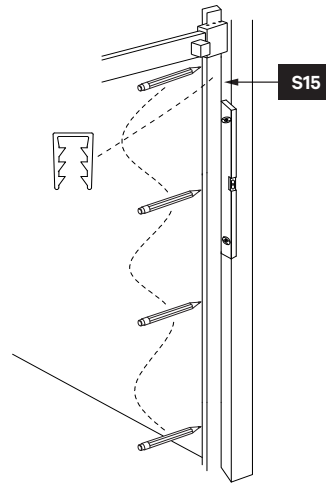


STEP 9

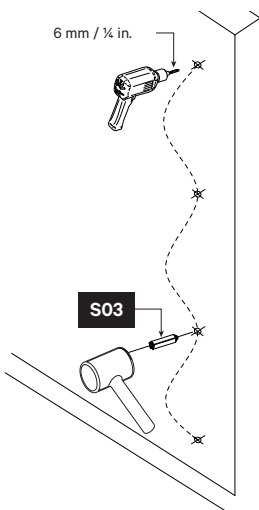
- 9.1** Place the aluminum profile (S15) against the wall bracket (inside the shower, on the opening door side) and make sure it is level and plumb.



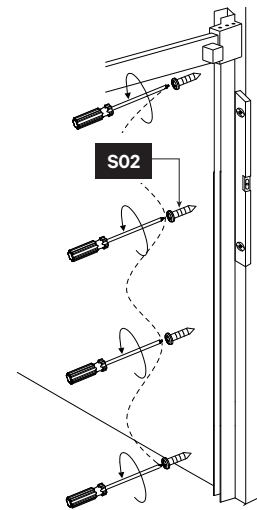
- 9.2** Mark the position of the aluminum profile on the wall, making sure it is level and plumb. Mark the position of the holes.



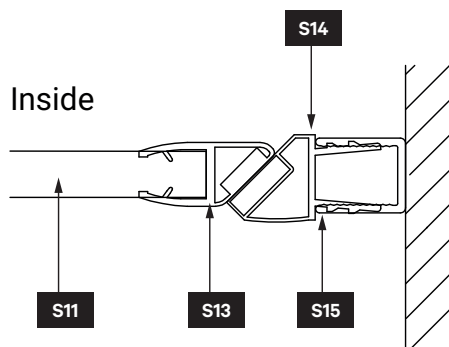
- 9.3** Using a 1/4 in bit, drill the holes. Using the rubber mallet, insert the expansion sleeves.



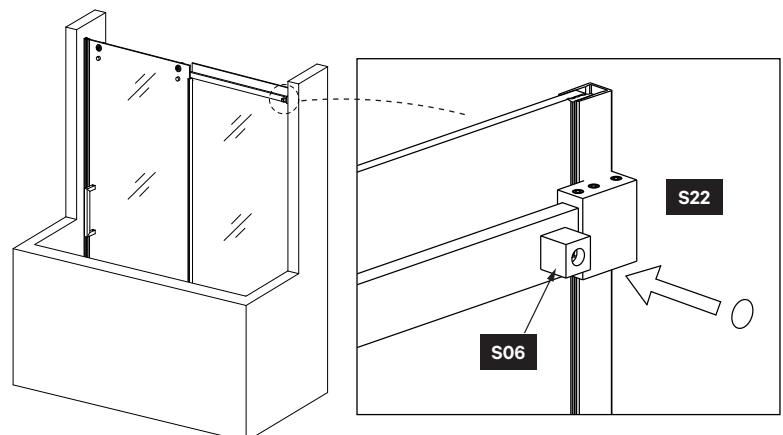
- 9.4** Fasten the aluminum profile (S15) on the wall using the screws (S02).



- 9.5** Insert the magnetic strip (S13) onto the door glass panel and attach the second portion of the magnetic strip to it (S14). Insert the magnetic strip (S14) inside the aluminum profile (S15) as shown above.



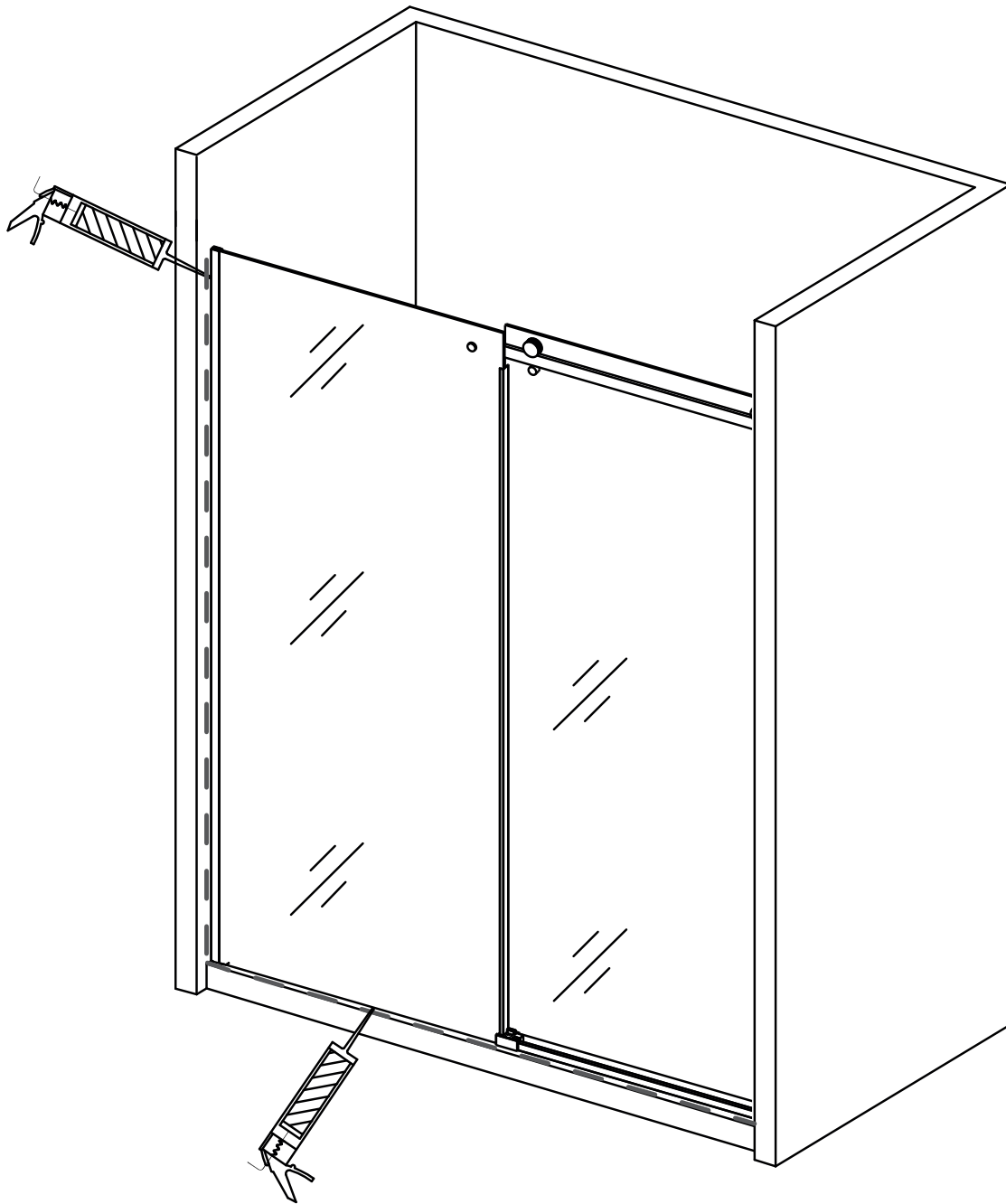
- 9.6** From the inside of the shower, make sure that the anti-jump block is in place.



STEP 10

10.1

Apply a bead of silicone around the shower (sides and bottom), on the exterior side of the shower.



Allow 24 hours for silicone to dry before use. Apply silicone on the outside edge only.

CARE AND CLEANING

Clean with mild soap (dishwashing liquid). **DO NOT use any abrasive or corrosive cleaning products.** Using these products can damage the components and void the warranty. The use of scrapers, brushes or any other object that can damage the surface of the product is to be avoided. Regularly applying a coat of quality wax will help maintain the finish and facilitate maintenance.

WARRANTY

This product is warranted against all manufacturing defects from the date of purchase by the consumer as shown on the purchaser's receipt. Apogi Products Inc. offers a limited warranty of ten 5 years on its NHIA&CO products. This warranty is limited to the original consumer purchaser and applies only to the product. It does not cover traveling expenses, installation/uninstallation fees, or shipping fees. During the warranty period, the manufacturer will, at its discretion, replace or repair the defective product at no charge, excluding the above-mentioned fees, so long as the installation is compliant. This warranty does not cover stains caused by different types of water, such as ferrous or hard water. This warranty does not cover damages caused by abusive usage, negligence, misuse, as well as breakage resulting from shocks, improper handling, modifications made to the product or the use of abrasive or chemical products. In that event, this warranty will be voided without any other recourse. This warranty is only applicable if the installation instructions were followed and the installation is compliant with the instruction manual. **This warranty is limited to the manufacturer's decision regarding replacement or repair. Nhia&Co Ltd. is not liable for any accident during installation or resulting from the use of its products.**

APOGI PRODUCTS INC.

10 Roger-Dorais Street, Saint-Rémi (QC) J0L 2L0

Toll Free: 1-877-707-0087

nhia.co